

DUART V1.2

DUART jumpers configuration can be found at
http://www.ide64.org/hw_duart.html

3 pin jumper - Base address selector

Pins are numbered 1-2-3, pin 3 is the nearest to the edge of the board.

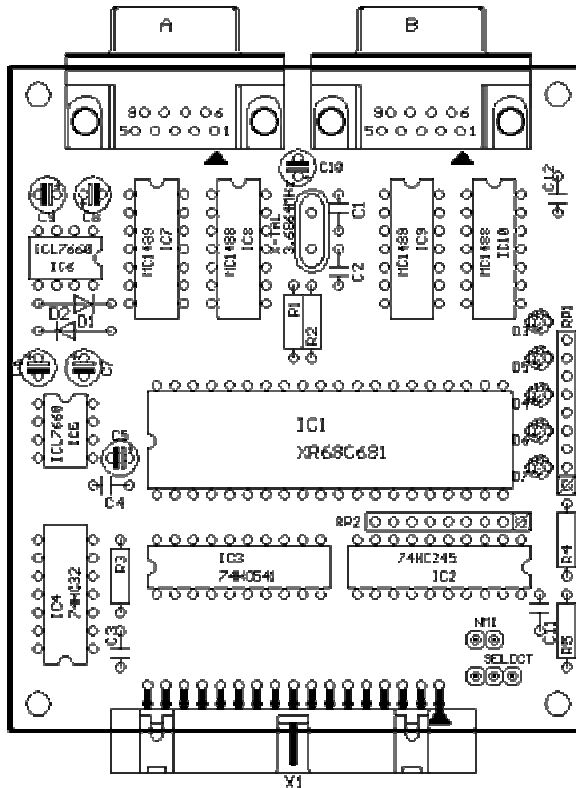
1-2 CSEL0 (Duart base address \$de00)

2-3 CSEL1 (Duart base address \$de10)

If no jumper is connected, DUART is disabled.

2 pin jumper – Interrupt (NMI) Enabled(ON)/Disabled(OFF)

If you use DUART in pooling mode, Interrupt jumper can be removed.



More info and technical details at webpage <http://www.ide64.org>